

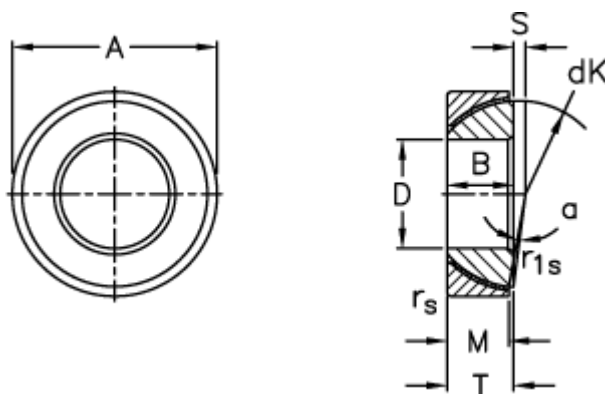
Data Sheet



Article number: 03510075

Description: Fluro Rod end GE 75SW

Measures



A = 115 0 -0,018

B = 25

D = 75 0 -0,015

dK = 107

Dynamic load C (kN) = 395

M = 24

rs, r1s min = 1.1

S = 7.9

Static load C0 (kN) = 790

T = 25 +0,25 -0,50

Tilt angle = 1

Weight = 1120